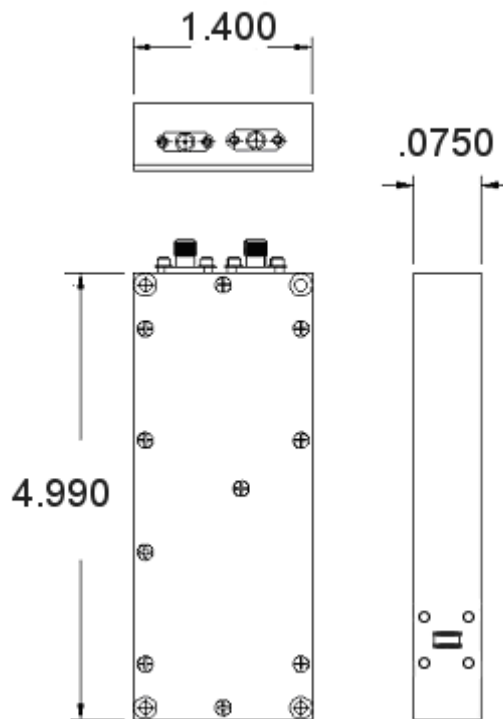


38 GHz Receiver for Communication Applications

P/N: 38RXxxxx

Electrical Specifications

RF FREQ.	37-40 GHz
LO FREQ.	8-13 GHz
IF FREQ.	1.5-3.0 GHz
LO INPUT POWER	+5 dBm
RF-IF GAIN	24 dB
RF IMAGE REJECTION	15 dB min
RF-IF FLATNESS	+/- 1.0 dB
RETURN LOSS	10 dB min
POSITIVE SUPPLY	+6 V @ 750 mA
NEGATIVE SUPPLY	-8 V @ 250 mA
RF INPUT	WR-28
LO INPUT	SMA
IF OUTPUT	SMA
TEMP	-33° C TO +75° C



Dimensions in Inches

Description

The LNX line of receivers offers small size, high performance, repeatability and reliability. Receivers can be configured for fixed gain or with external gain adjustment. The LO source can be either customer supplied or internally generated. Various packages are available as well as custom designs.

